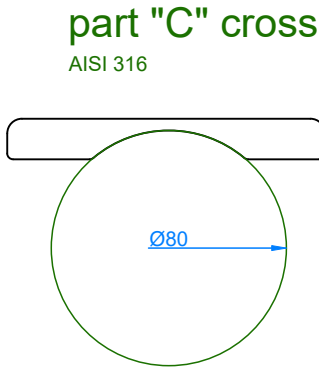
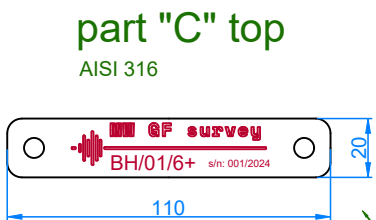
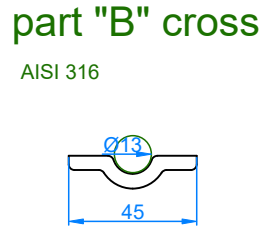
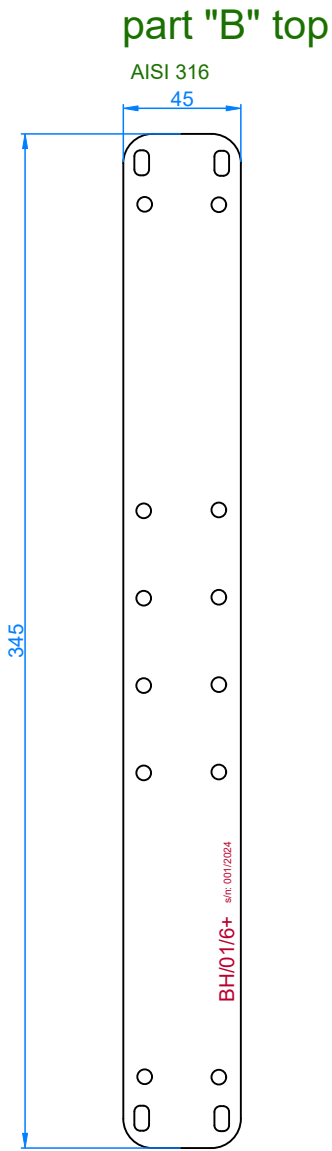
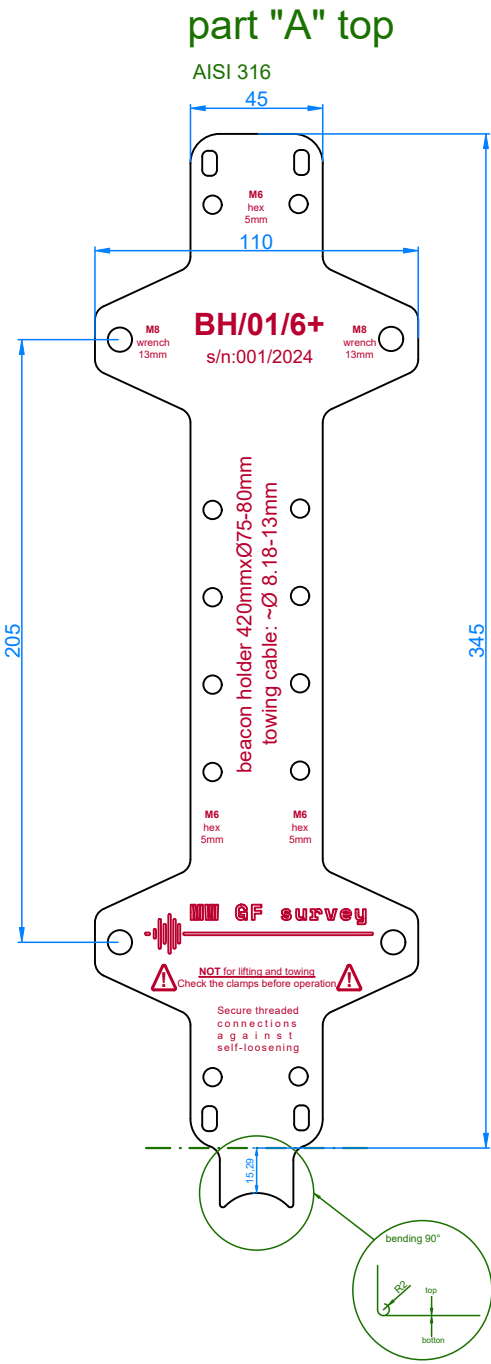
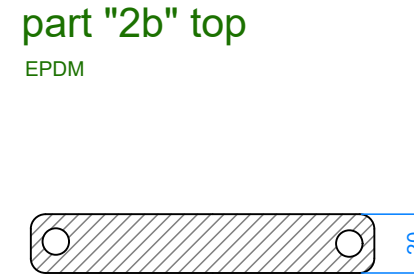
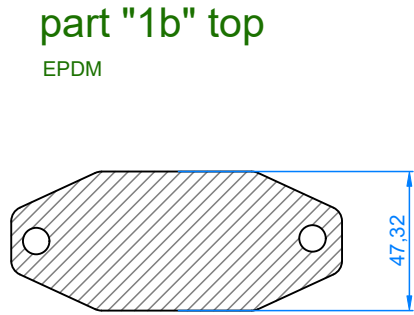
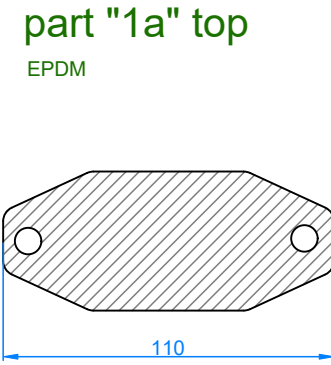


# Beacon holder BH/01/6+



2 pieces



INDEX OF PARTS		
NAME	QUANTITY	MATERIAL
part A	1.00	AISI 316
part B	1.00	AISI 316
part C	2.00	AISI 316
part 1a	2.00	EPDM
part 1b	2.00	EPDM
part 2a	2.00	EPDM
part 2b	2.00	EPDM
bolt M6 25mm	12.00	A4
self-locking nut M6	12.00	A4
spring washer M6	12.00	A4
bolt M8 100mm	4.00	A4
self-locking nut M8	4.00	A4
spring washer M8	4.00	A4
washer M8	8.00	A4
wide washer M8	16.00	A4
spring	4.00	AISI 316

DRAWN BY:	MICHAŁ WALTER	08.06.2024						
CHECKED BY:	N/A	N/A						
DESIGNED BY:	MICHAŁ WALTER	08.06.2024	<b>B E A C O N H O L D E R</b>					
Michał Walter Geophysical Survey ul. Jaskrow 11, 43-100 Tychy, POLAND +48 530 237 42, contact@mgfsurvey.com www.mwgfsurvey.com			Scale:	Unit:	Weight:	Material:	Model:	Revision:
			1:1	mm	~2500g	AISI 316 + EPDM	BH01/6+	401/18/06/2024